



# hopeSun60 ~ 110KTL



## High-efficiency

- 4 MPPTs with Max. efficiency 98.60%
- 20A input current, compatible with 210mm panels
- Night SVG function (optional)



## User Friendly

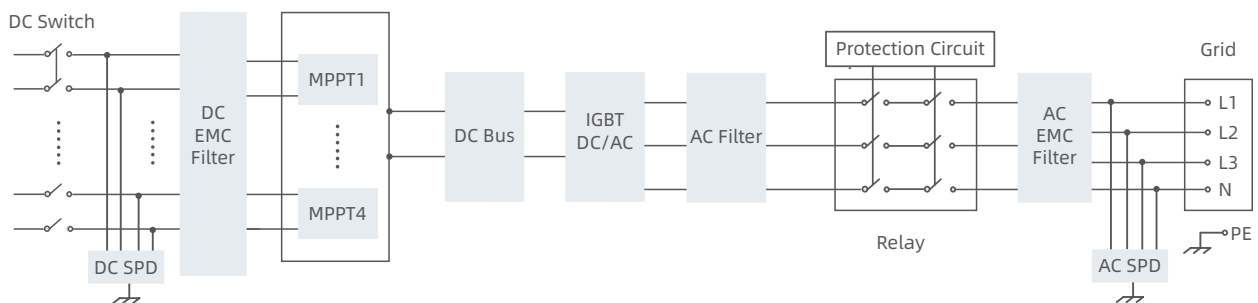
- Built-in zero export function interface
- Touch free commissioning via APP
- AC and DC redundant power supply



## Reliability

- Smart air cooling
- Built-in Type II DC&AC SPD
- Built-in PID recovery function (optional)

## Topological Graph



## Technical Parameters

Model	hopeSun 60KTL	hopeSun 70KTL	hopeSun 75KTL	hopeSun 100KTL	hopeSun 110KTL
<b>DC Input</b>					
Max. Input Voltage	1100V				
Starting Voltage	180V				
MPPT Voltage Range	200 ~ 1000V				
MPPT Range Full Load	520 ~ 850V			550 ~ 850V	
Max. Input Current Per MPPT	45A / 45A / 45A / 45A			65A / 65A / 65A / 65A	
Max. Short-circuit Current	60A / 60A / 60A / 60A			100A / 100A / 100A / 100A	
Number of DC Inputs	3 / 3 / 3 / 3		4 / 3 / 3 / 4		5 / 5 / 5 / 5
Number of MPP Trackers	4				
<b>AC Output</b>					
Rated Output Power	60kW	70kW	75kW	100kW	110kW
Max. Output Power	66kW	77kW	82.5kW	110kW	121kW
Rated Output Voltage	230V / 400V (3P + N + PE)				
Operating Voltage Range	300 ~ 520V				
Rated Output Current	86.6A	101.0A	108.3A	144.3A	158.8A
Max. Output Current	95A	111A	119A	158.8A	174.6A
Rated Grid Frequency	50Hz / 60Hz				
Power Factor	>0.99 (0.8 leading ~ 0.8 lagging)			>0.99 (0.9 leading ~ 0.9 lagging)	
Harmonic (THD)	<3% (at rated power)				
<b>Efficiency</b>					
Max. Efficiency	98.50%			98.60%	
European Efficiency	98.20%			98.30%	
<b>Protection</b>					
Surge Protection	DC type II / AC type II				
Insulation Impedance Detection	Yes				
Residual Leakage Current Detection	Yes				
PV String Fault Detection	Yes				
PV Reverse Polarity Protection	Yes				
Anti-Islanding Protection	Yes				
Output Overcurrent Protection	Yes				
DC Switch	Yes				
Zero Export Function	/			Yes	
<b>General Parameters</b>					
Dimensions (W*H*D)	705*650*285mm			800*680*330mm	
Weight	≤75kg			≤89kg	
Protection Degree	IP65				
Operating Temperature Range	-40 ~ +60°C				
Cooling System	Smart air cooling				
Topology	Transformerless				
Operating Altitude	4000m (>3000m derating)				
Display	LED, WLAN + APP				
Communication	RS485 / Wi-Fi				
DC Connection Type	MC4				
AC Connection Type	OT / DT terminal				