



hopeSun36 ~ 50KTL



High-efficiency

- 2 MPPTs with Max. efficiency 98.60%
- 20A input current, compatible with 210mm panels
- High precision & intelligent string detection



User Friendly

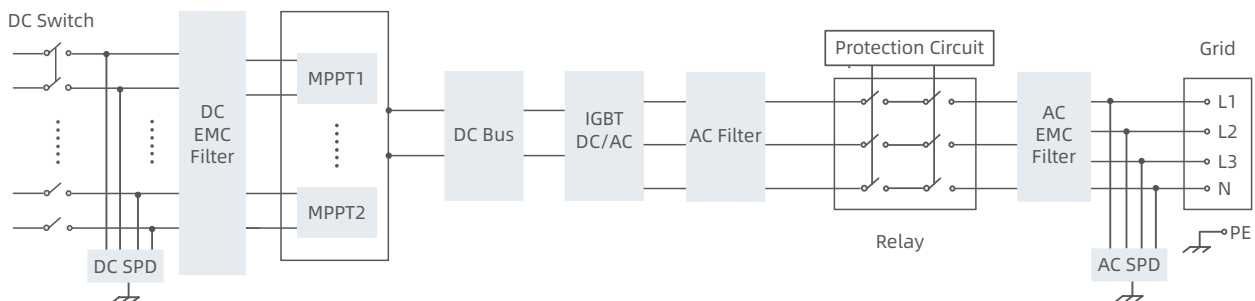
- Built-in zero export function interface
- Touch free commissioning via APP
- Compatible with Al and Cu AC cable



Reliability

- Smart air cooling
- Built-in Type II DC&AC SPD

Topological Graph



Technical Parameters

Model	hopeSun 36KTL	hopeSun 40KTL	hopeSun 50KTL
DC Input			
Max. Input Voltage	1100V		
Starting Voltage	180V		
MPPT Voltage Range	200 ~ 1000V		
MPPT Range Full Load	375 ~ 850V		450 ~ 850V
Max. Input Current Per MPPT	45A / 45A	54A / 54A	60A / 60A
Max. Short-circuit Current	67.5A / 67.5A	81A / 81A	90A / 90A
Number of DC Inputs	3 / 3	5 / 4	
Number of MPP Trackers	2		
AC Output			
Rated Output Power	36kW	40kW	50kW
Max. Output Power	39.6kW	44kW	55kW
Rated Output Voltage	230V / 400V (3P + N + PE)		
Operating Voltage Range	300 ~ 520V		
Rated Output Current	52.0A	57.7A	72.2A
Max. Output Current	57.2A	64A	80A
Rated Grid Frequency	50Hz / 60Hz		
Power Factor	>0.99 (0.8 leading ~ 0.8 lagging)		
Harmonic (THD)	<3% (at rated power)		
Efficiency			
Max. Efficiency	98.60%		
European Efficiency	98.30%		
Protection			
Surge Protection	DC type II / AC type II		
Insulation Impedance Detection	Yes		
Residual Leakage Current Detection	Yes		
PV String Fault Detection	Yes		
PV Reverse Polarity Protection	Yes		
Anti-Islanding Protection	Yes		
Output Overcurrent Protection	Yes		
DC Switch	Yes		
Zero Export Function	Yes		
General Parameters			
Dimensions (W*H*D)	520*520*265mm		
Weight	≤44kg		
Protection Degree	IP65		
Operating Temperature	-40 ~ +60°C		
Cooling System	Smart air cooling		
Topology	Transformerless		
Operating Altitude	4000m (>3000m derating)		
Display	LED, WLAN + APP		
Communication	RS485 / Wi-Fi		
DC Connection Type	MC4		
AC Connection Type	OT / DT terminal		